

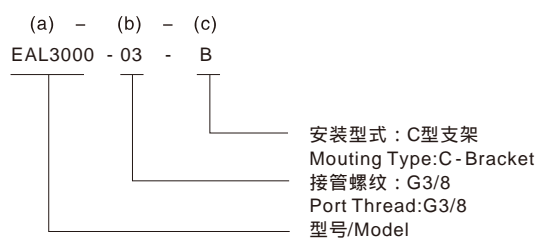
EAL Series Lubricator(L)



Specification

型号Model	EAL1000/EAL2000	EEL3000	EAL3000	EAL4000	EAL5000
最高使用压力 / Operating Pressure MPa	1.0				
允许耐压力 / Max Pressure MPa	1.5				
使用温度 / Operating Temperature	0-60				
最少滴液流量 / Min Flow For Oil Drop m ³ /min(ANR)	0.015	0.03	0.03	0.065	0.19
储油量 / Max Oil Level ml	20	70	85	170	140
使用油 / Oil Recommended	1级涡轮机油 / Turbine Oil NO.1 (ISO VG 32) (不可使用锭子油 / NO Spindle oil is allowed)				
配管螺纹 / Port Thread G	1/8, 1/4	1/4, 3/8	1/4, 3/8, 1/2	3/8, 1/2 (3/4配合变径接头使用 3/4 For reduced joint)	G3/4, G1
注意事项 / Caution	注：1、确认系统内没有承受压力之后，再拆卸杯子、杯子护罩； 2、最少滴液流量是指在设定压力为0.5MPa(5.1kgf/cm ²)的基础上，每分钟5滴涡轮油的滴液流量 Note: 1. Assemble and disassemble the plastic bowl and bowl guard when it is confirmed that there's no load on the object. 2. The minimum drop flow refers to the drop flow of 5 turbine oil every minute on the basis of the pressure set at 0.5MPa				

Product Code System



Lubricator Series

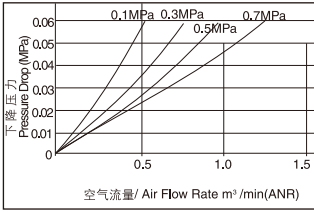
(a) 型号 Model	(b) 接管螺纹 Port Thread	最高使用压力 Operating Pressure (MPa)	最大流量 / Max Air Flow * M ³ /min(ANR)	储油量 Max Oil Level (cm ³)
EAL1000-01	G1/8	1.0	0.5	20
EAL2000-02	G1/4		0.6	
EEL3000-02	G1/4		1.1	70
EEL3000-03	G3/8		1.6	
EAL3000-02	G1/4		1.2	85
EAL3000-03	G3/8		1.8	
EAL3000-04	G1/2		2.0	
EAL4000-03	G3/8		2.3	
EAL4000-04	G1/2		2.6	170
EAL4000-06	G3/4		2.9	
EAL5000-06	G3/4	7.0	140	
EAL5000-10	G1	7.0		

Operating temperature range: 0-60
* At 0.7MPa Input pressure, 0.5MPa set pressure, 0.1 Mpa pressure drop

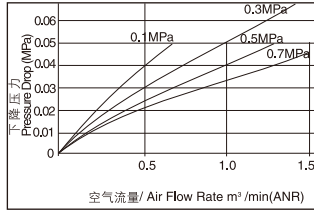
(a) 型号 Model	(b) 接管螺纹 Port Thread	(c) 安装型式 Mounting Type	
EAL1000	01 G1/8	空白 Blank	不带支架 Without Bracket
EAL2000	02 G1/4		
EEL3000	02 G1/4		
	03 G3/8		
EAL3000	02 G1/4		
	03 G3/8		
	04 G1/2		
EAL4000	03 G3/8	B	C型支架 C-Bracket
	04 G1/2		
	06 G3/4		
EAL5000	06 G3/4		
	10 G1		

Flow Diagrams

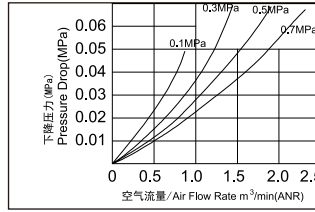
EAL1000-01



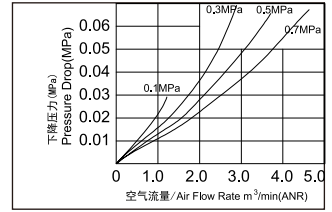
EAL2000-02



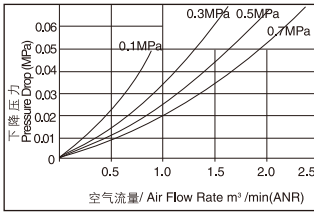
EEL3000-02



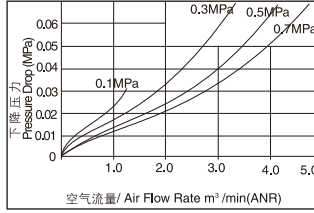
EEL3000-03



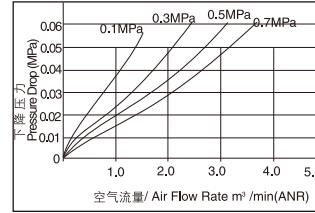
EAL3000-02



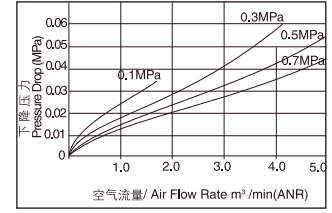
EAL3000-03



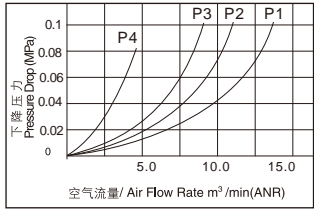
EAL4000-03



EAL4000-04



EAL5000-06/10

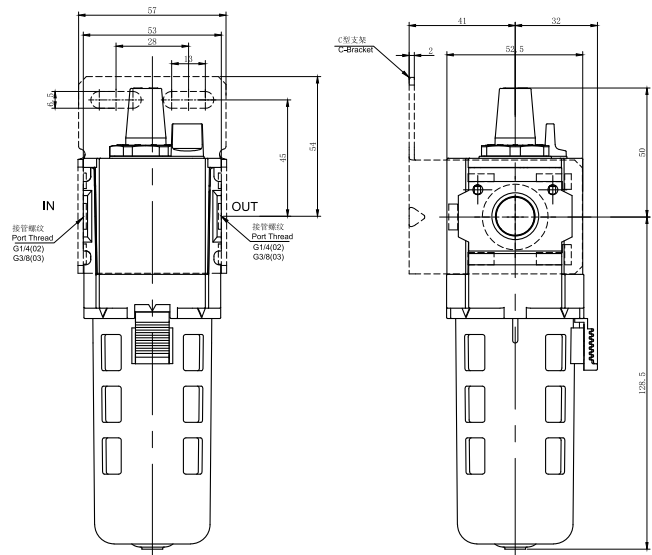
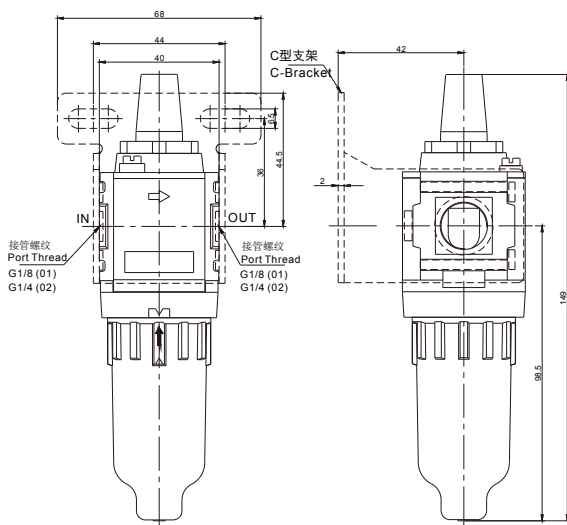


Dimensions

EAL1000

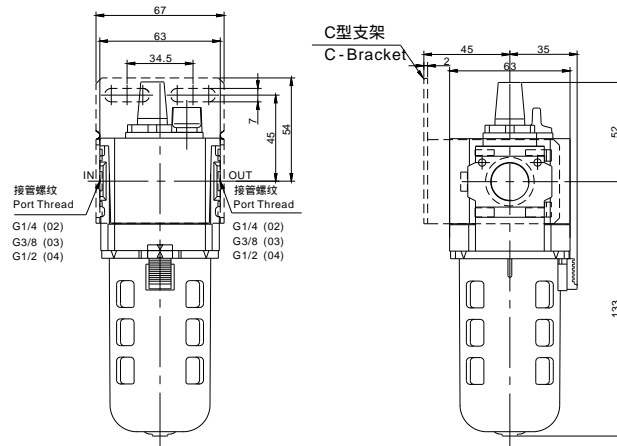
EAL2000

EEL3000

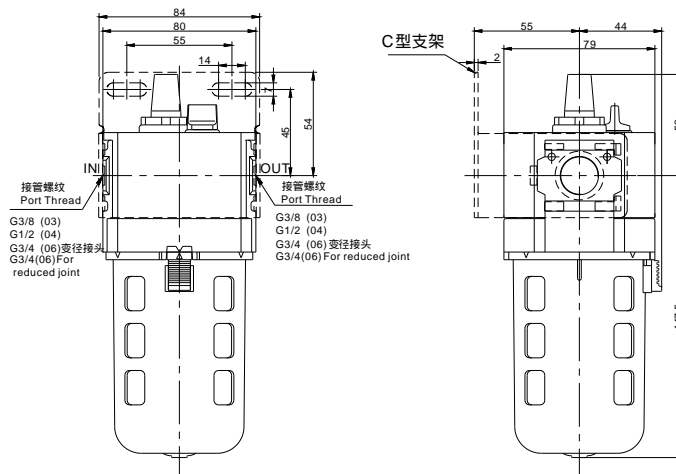


■ Dimensions

EAL3000



EAL4000



EAL5000

